

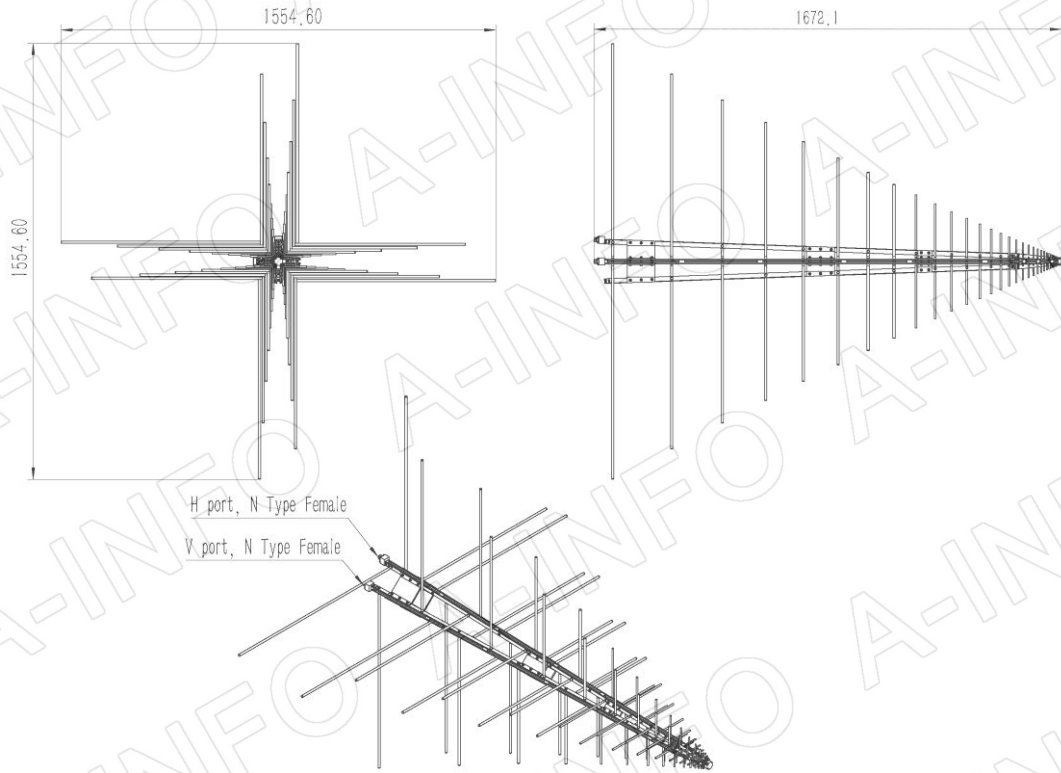
## Technical Specification

<i>P/N: DS-SJ-10200</i>	
Frequency Range(GHz)	0.1 - 2.0
Gain(dBi)	7 Typ.
Polarization	Dual Pol.
3dB Beamwidth(deg)	E Plane: 80 - 45
	H Plane: 180 - 65
Cross Pol. Isolation(dB)	15 Typ. / 8 Min.
Port to Port Isolation(dB)	25 Typ. / 20 Min.
VSWR	2.0:1 Typ. / 3.0:1 Max.
Output	N-Female
Average Power(W CW)	300 (200 @ 2.0GHz)
Peak Power(KW)	3
Material	Al
Size(mm)	1554.6 x 1554.6 x 1672.1
Net Weight(Kg)	5.20 Around

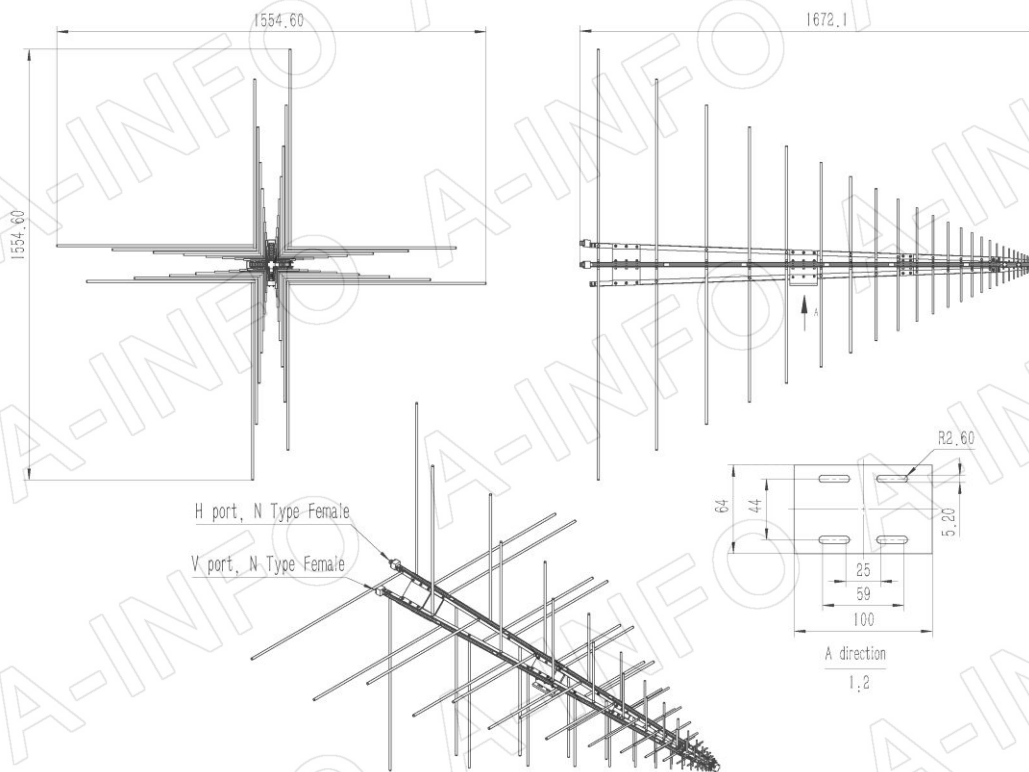
<i>P/N: DS-SJ-10200C</i>	
Frequency Range(GHz)	0.1 - 2.0
Gain(dBi)	7 Typ.
Polarization	Dual Pol.
3dB Beamwidth(deg)	E Plane: 80 - 45
	H Plane: 180 - 65
Cross Pol. Isolation(dB)	15 Typ. / 8 Min.
Port to Port Isolation(dB)	25 Typ. / 20 Min.
VSWR	2.5:1 Typ. / 3.5:1 Max.
Output	N-Female
Average Power(W CW)	300 (200 @ 2.0GHz)
Peak Power(KW)	3
Material	Al
Size(mm)	1554.6 x 1554.6 x 1666.6
Net Weight(Kg)	7.50 Around

## Outline Drawing (Size: mm)

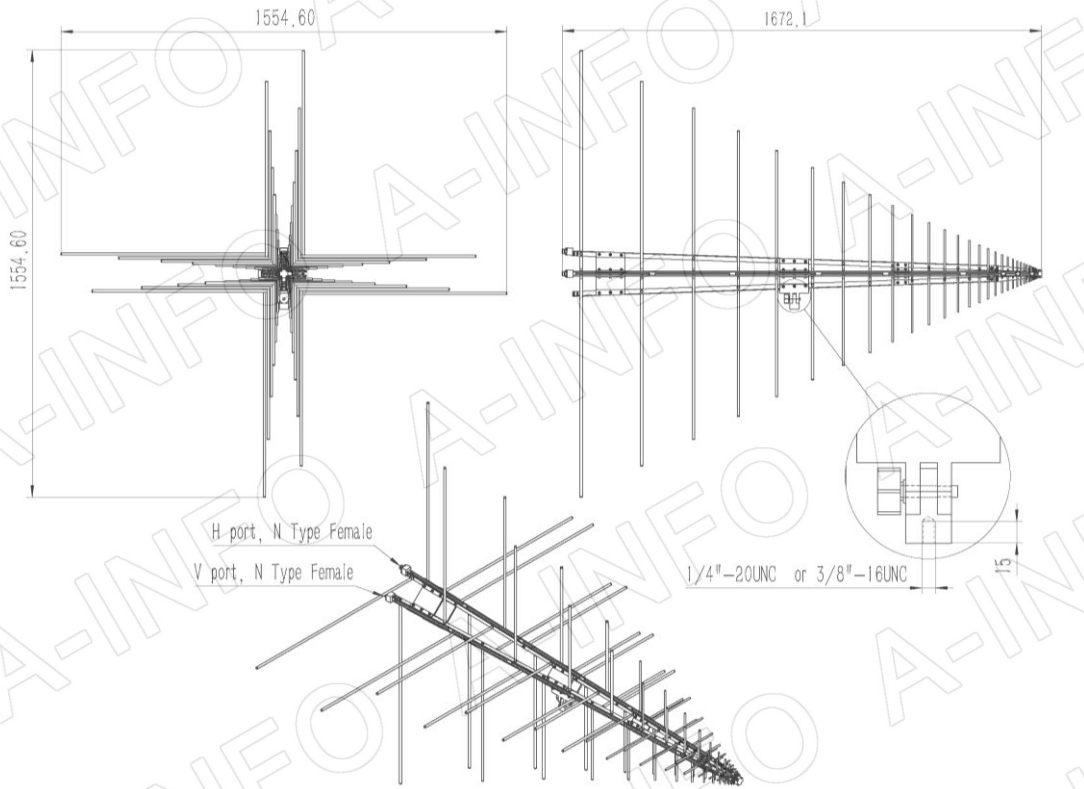
DS-SJ-10200 (P/N: DS-SJ-10200)



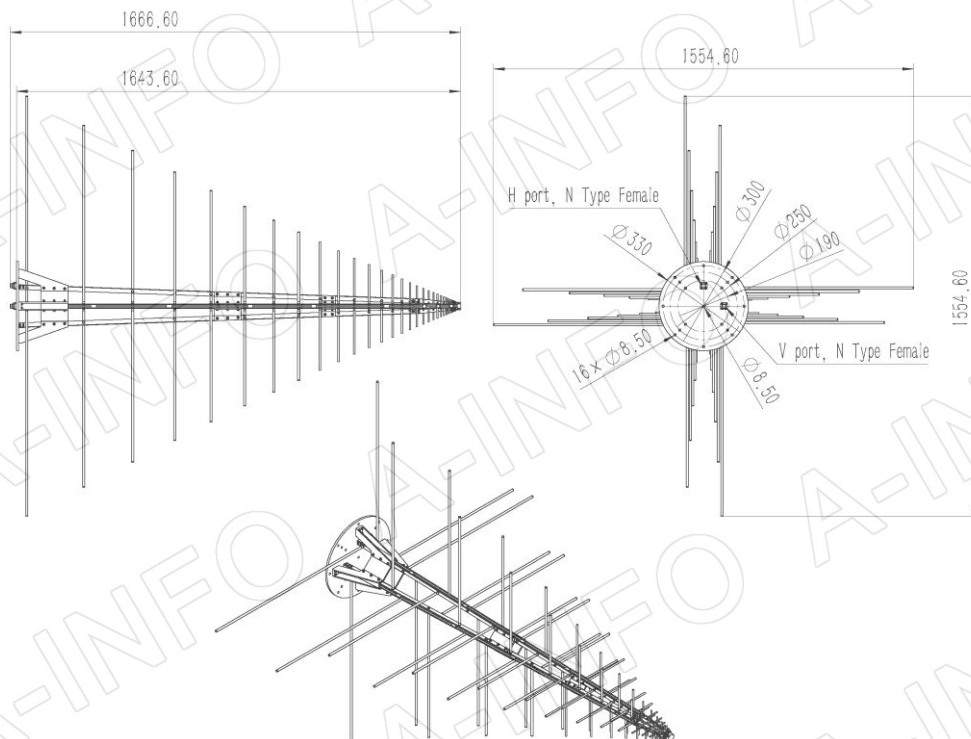
## DS-SJ-10200 with Mounting Bracket (Option, P/N: DS-SJ-10200-MB)



**DS-SJ-10200 with Mounting Bracket for Tripod Application (Option, P/N: D DS-SJ-10200-MBA)**

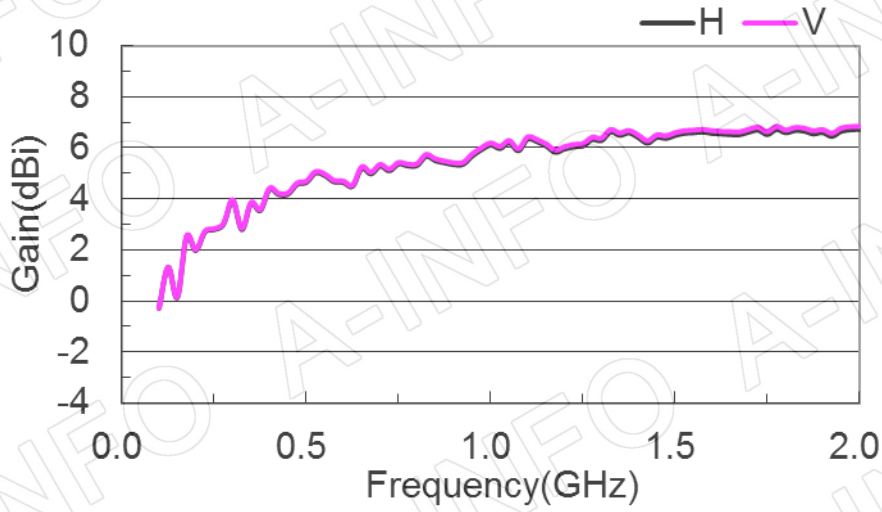


**DS-SJ-10200C (P/N: DS-SJ-10200C)**

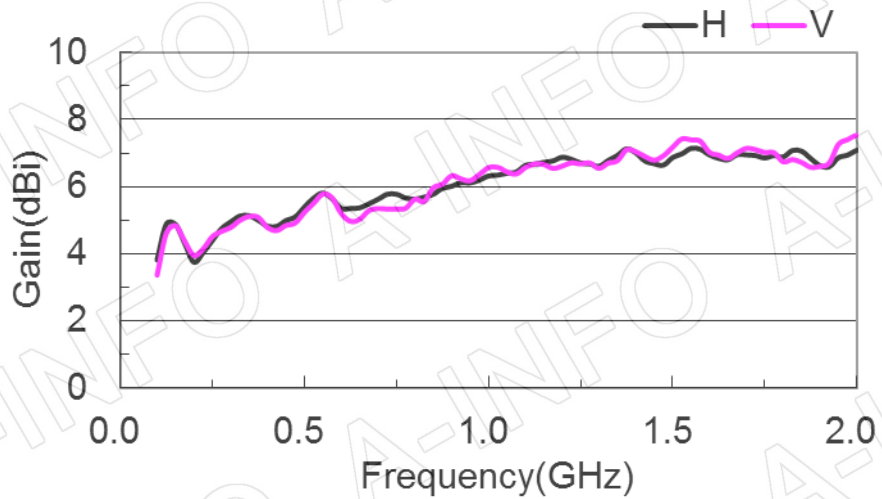


## Test Results

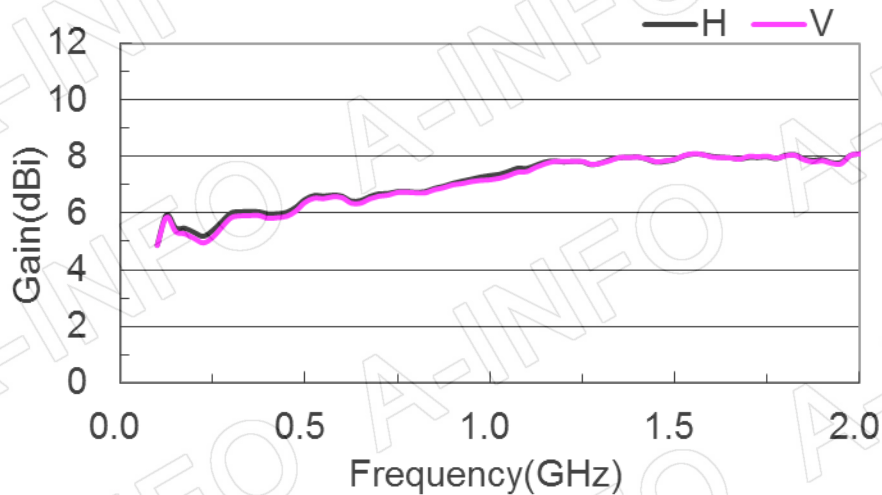
### 1. Gain at 1m



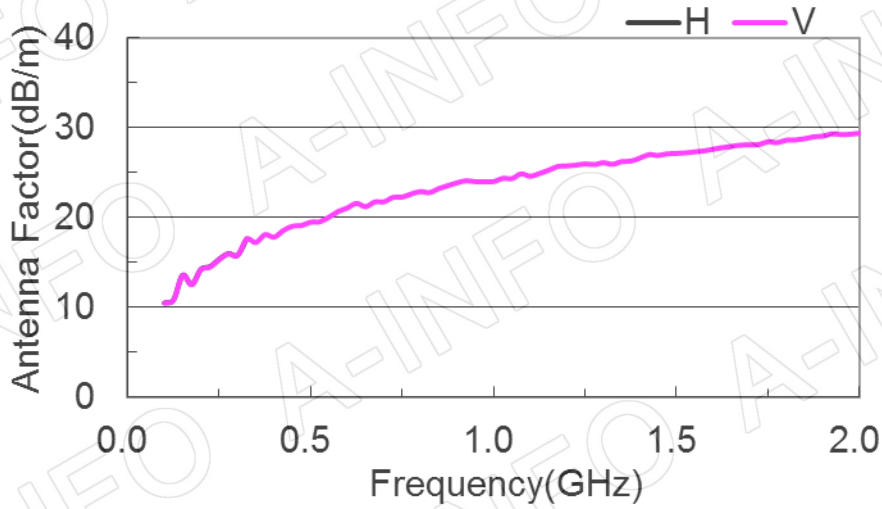
### at 3m



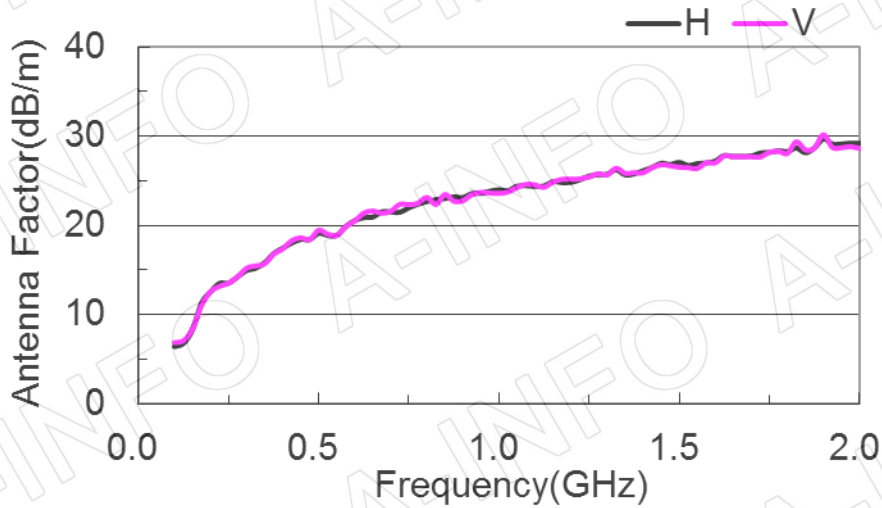
### at 10m



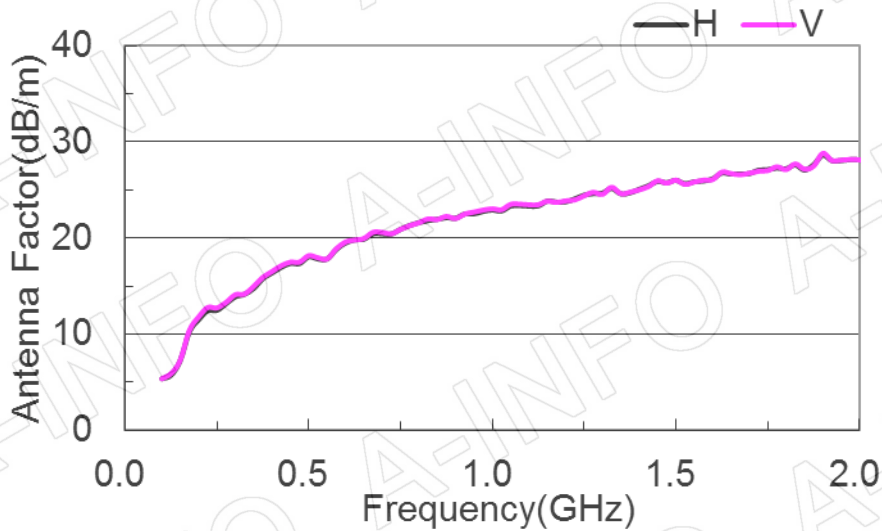
## 2. Antenna Factor at 1m



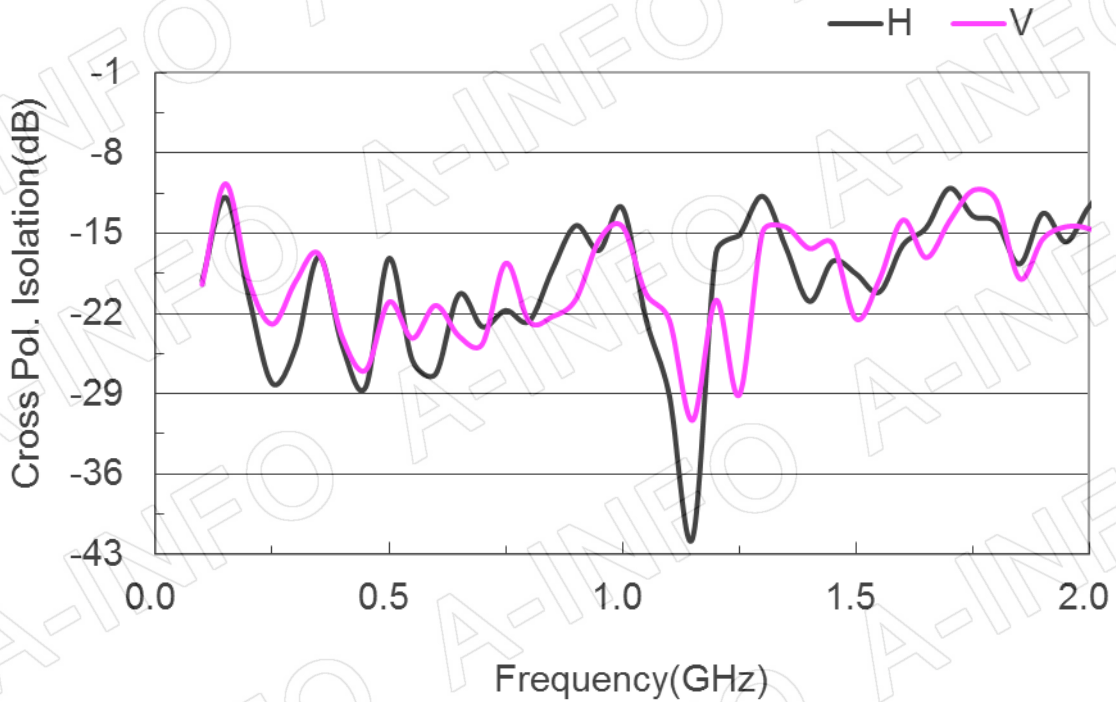
at 3m



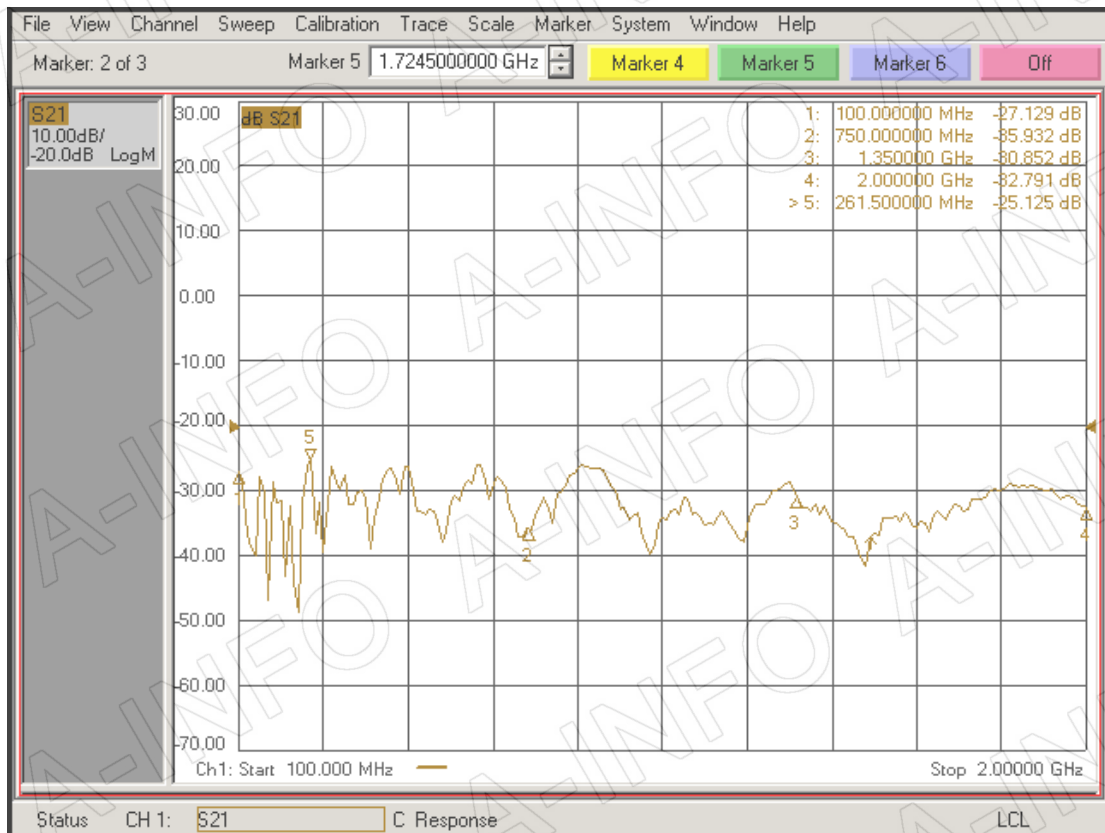
at 10m



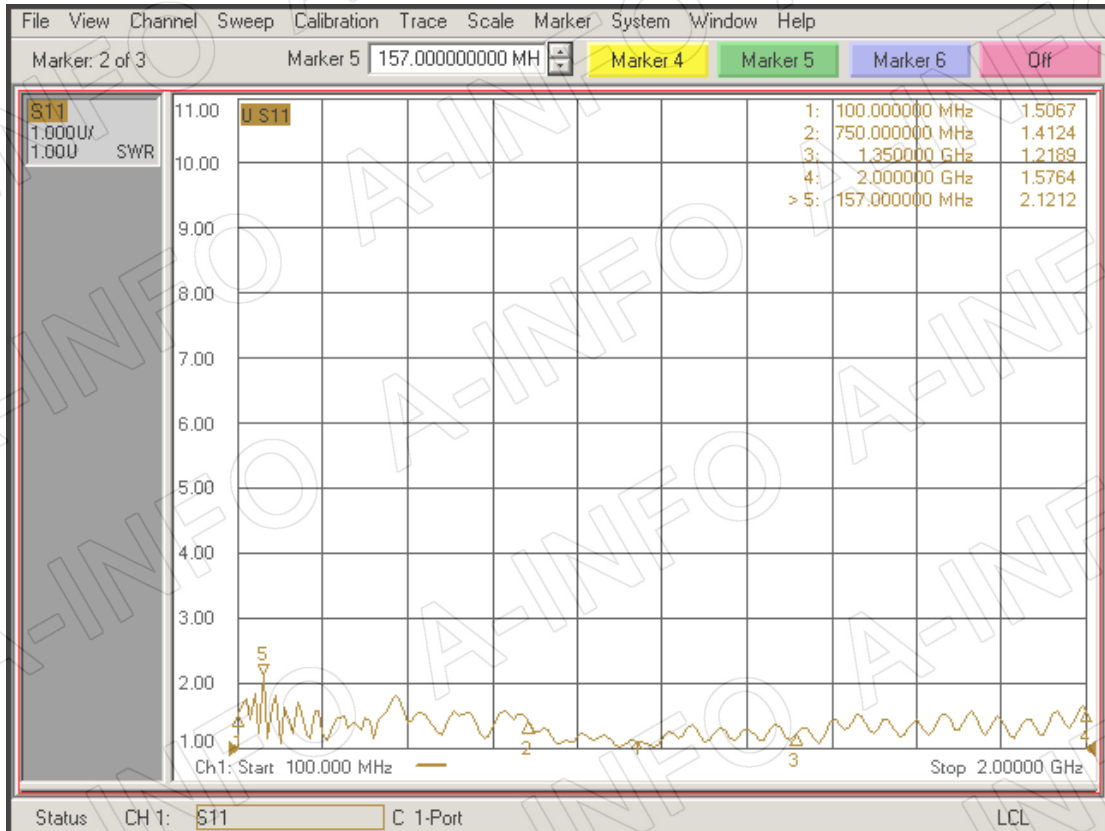
### 3. Cross Polarization Isolation



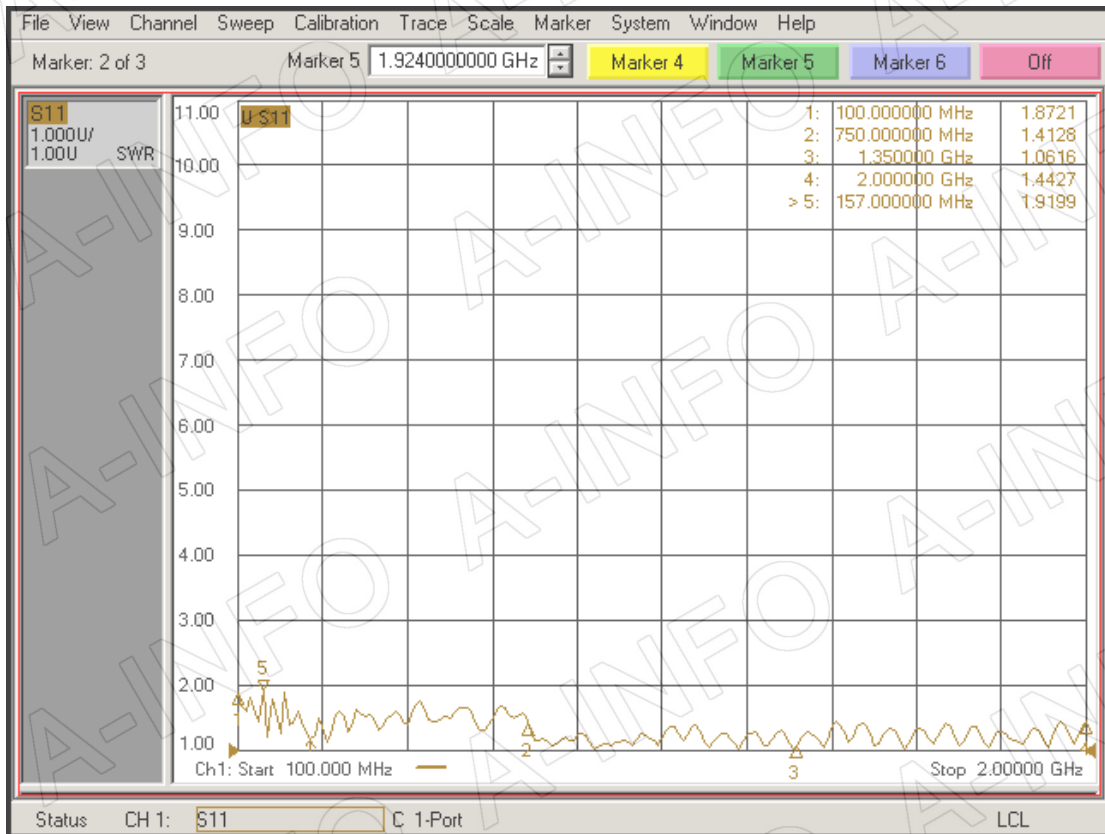
### 4. Port to Port Isolation



## 5. VSWR Port-H



## Port-V



## 6. Pattern

